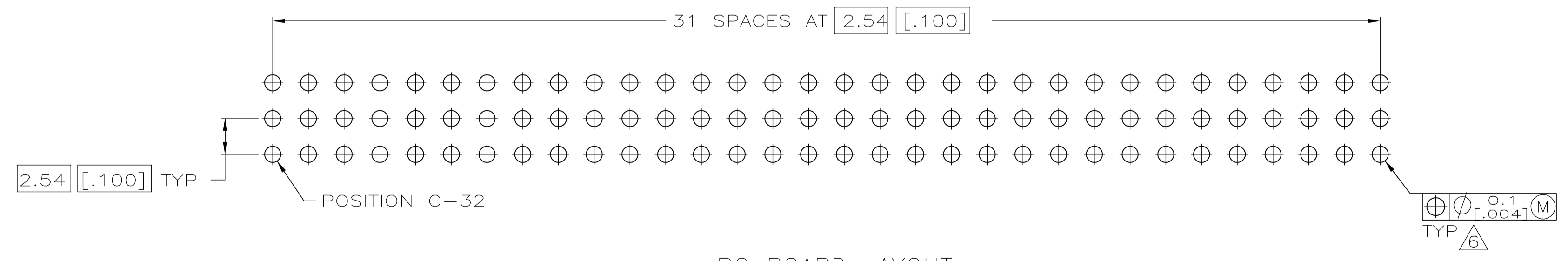
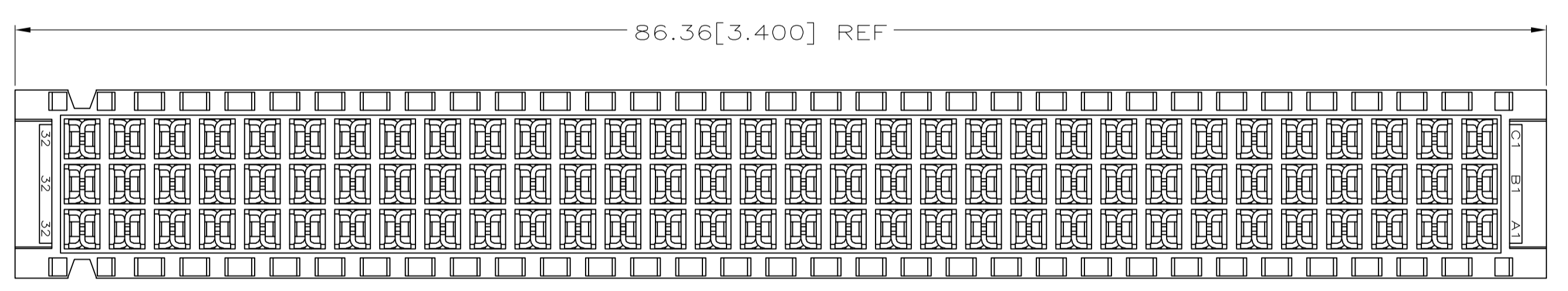
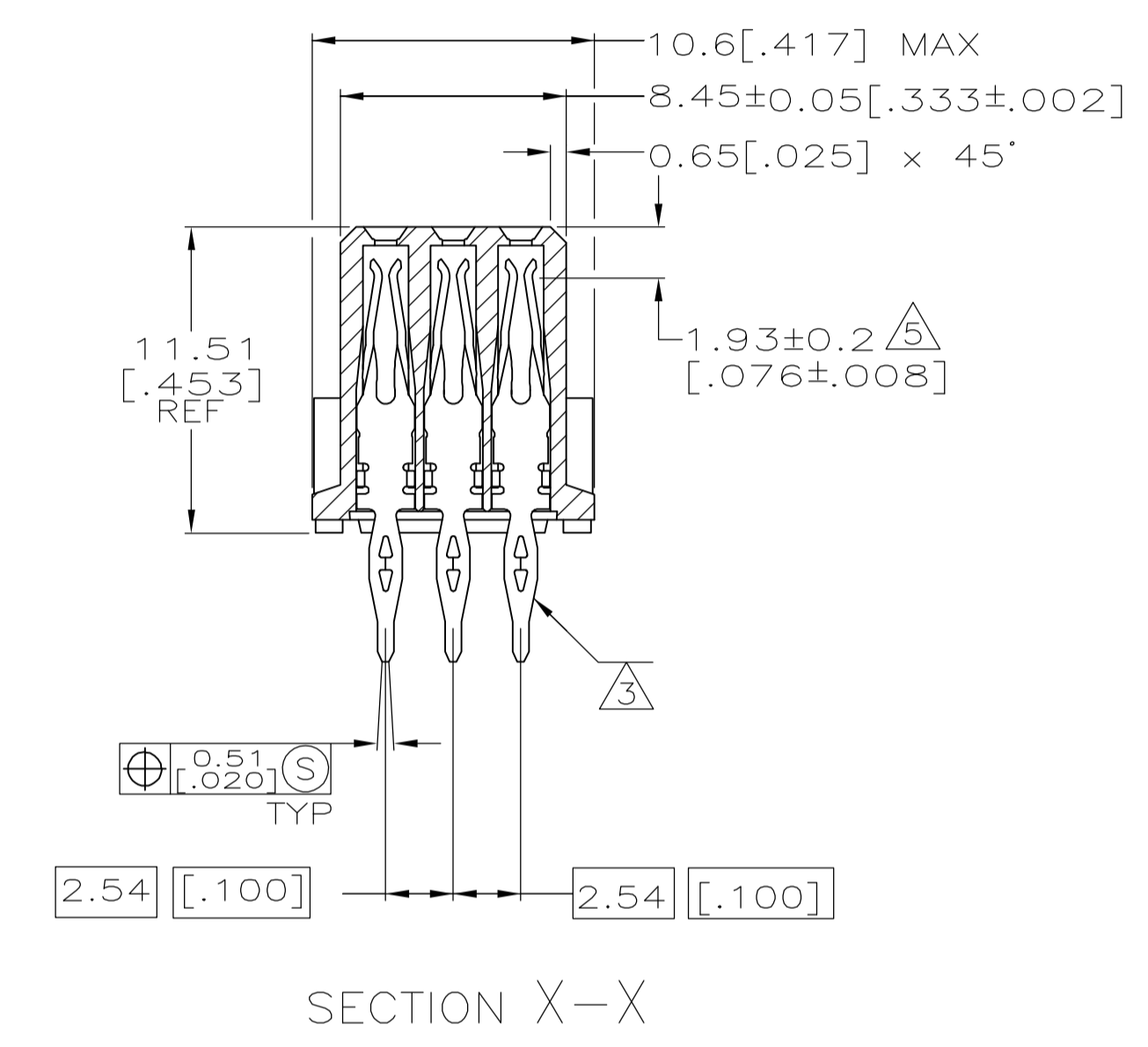
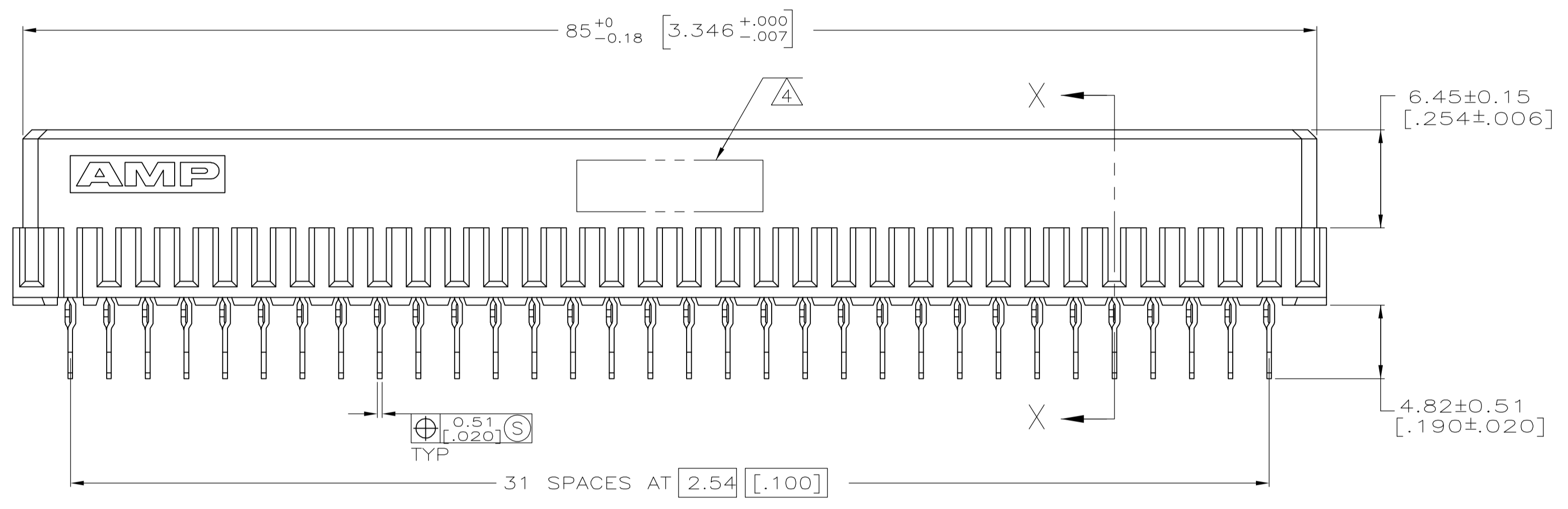
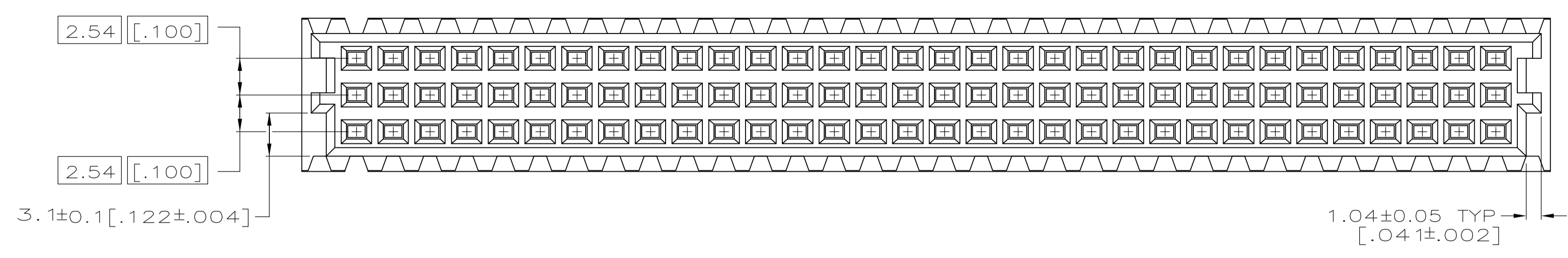


- ① HOUSING MATERIAL: GLASS-FILLED POLYMER
- ② CONTACT MATERIAL: COPPER ALLOY.
- ③ CONTACT FINISH: DIN 41612 CLASS 2 IN CONTACT AREA. TIN PLATE ON POSTS.
- ④ PART NUMBER, DATE CODE IDENTIFICATION, CSA LOGO, IN THIS APPROXIMATE AREA, ON REVERSE SIDE.
- ⑤ CONTACT POINT.
- ⑥ ACTION: PIN POSTS REQUIRE 1.57[.062] MIN THICK PC BOARD. RECOMMENDED PC BOARD HOLES ARE: $\varnothing 1.15 \pm 0.2 [.0453 \pm .001]$ DRILLED HOLE WITH 0.2-0.07[.001-.003] COPPER AND 0.008[.0003] MIN TIN-LEAD PLATING. FINISHED HOLE AFTER PLATING, $\varnothing 0.94-1.09 [.037-.043]$.



5535056-5
 ASSY PART NUMBER

THIS DRAWING IS A CONTROLLED DOCUMENT.		DIN J. POLIGNONE 03JUN05		Tyco Electronics Corporation Harrisburg, PA 17105-3608	
DIMENSIONS: mm [INCHES]		CIK A. SHARPE 03JUN05		NAME	ASSEMBLY, RECEPTACLE EUROCARD, TYPE C, 96 POSITION, 4.83[.190] TOOLLESS, PRESS-FIT, WITHOUT MOUNTING EARS
TOLERANCES UNLESS OTHERWISE SPECIFIED:		APVD A. SHARPE 03JUN05	PRODUCT SPEC	APPLICATION SPEC	
0 PLC ± -		SIZE	CAGE CODE	DRAWING NO	RESTRICTED TO
1 PLC ± -		WEIGHT	A1	00779	5535056
2 PLC ± 0.13[.005]		CUSTOMER DRAWING			
3 PLC ± -		SCALE 4:1 SHEET 1 OF 1 REV 0			
4 PLC ± -					
ANGLES ± -					
FINISH					